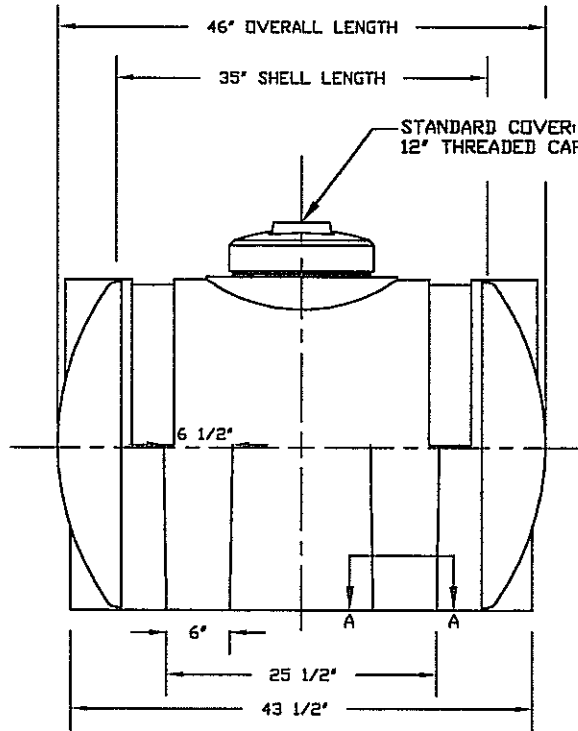
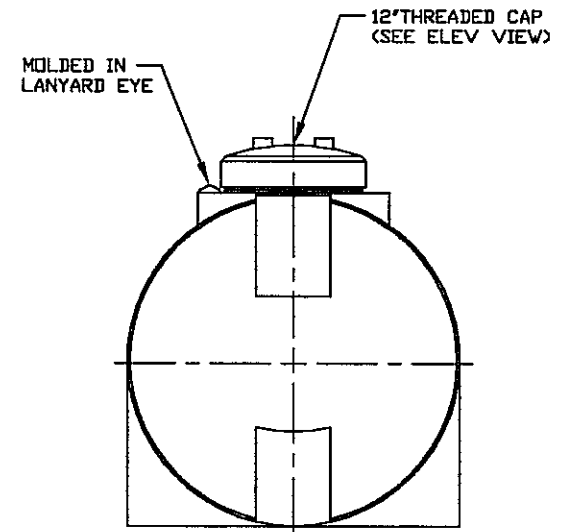


LEFT END



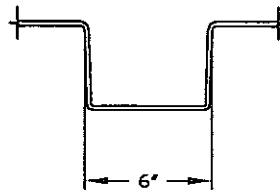
ELEVATION



RIGHT END

NOTES

1. MOLDED IN GALLONAGE MARKERS STARTING @ 20 GAL UP TO 120 GAL IN 20 GAL INCREMENTS.
2. VERTICAL RACING STRIPE DIMENSIONS: 4" WIDE WITH 1/2" RECESS



SECTION A-A
SCALE: 2"=1'-0"

CALCULATED CAPACITIES/ VOLUME IN U.S. GALLONS
DESIGN CAPACITY
133

DWG TITLE			
135 GALLON HORIZONTAL LEG TANK			
SCALE:		F/I Box 81060 Lafayette, LA 70398 1-800-729-3263 3377 837-8118 3377 837-3023 - Fax	DR:
DATE: 2/25/08		CK:	
		SHEET	COMPUTER FILE
			REV