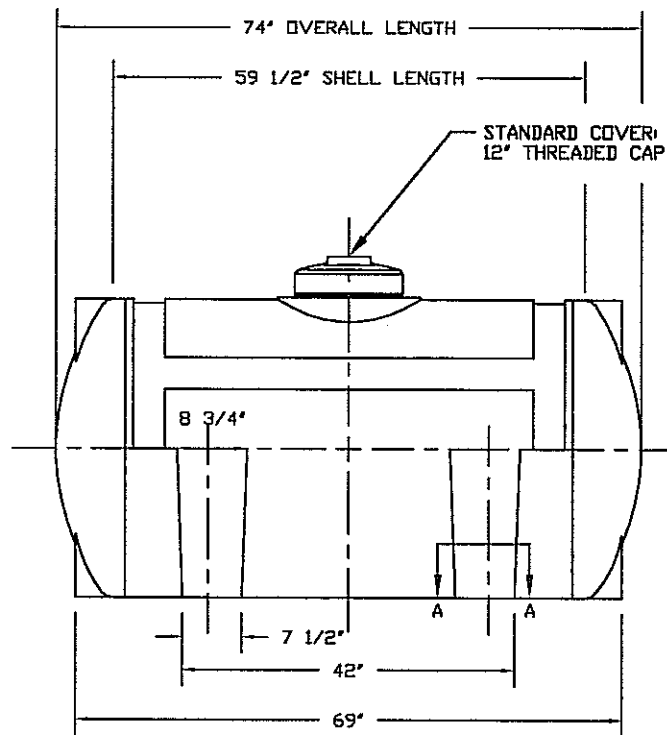
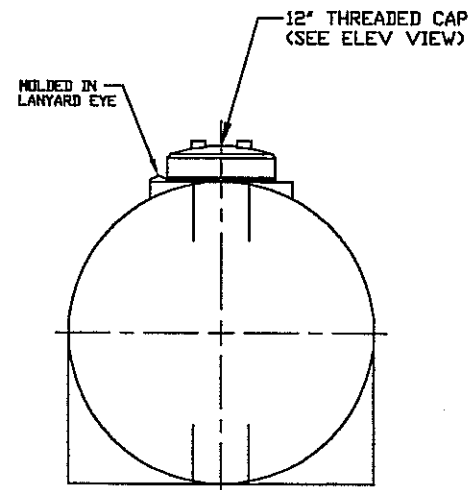


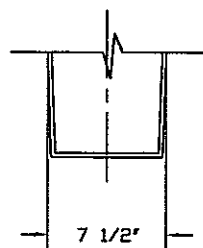
LEFT END



ELEVATION



RIGHT END




SECTION A-A
SCALE: 1 1/2"=1'-0"

NOTES

1. MOLDED IN GALLONAGE MARKERS IN 50 GAL INCREMENTS UP TO 300 GAL.
2. VERTICAL AND HORIZONTAL RACING STRIPE DIMENSIONS: 4' WIDE WITH 1/2' RECESS

CALCULATED CAPACITIES/ VOLUME IN U.S. GALLONS
DESIGN CAPACITY
330

DWG TITLE		330 GALLON HORIZONTAL LEG TANK	
SCALE		P.O. Box 81068 Lafayette, LA 70598 1-800-729-0263 337 837-8118 337 837-5823 - Fax	
DATE		4/25/08	SHEET