

6

5

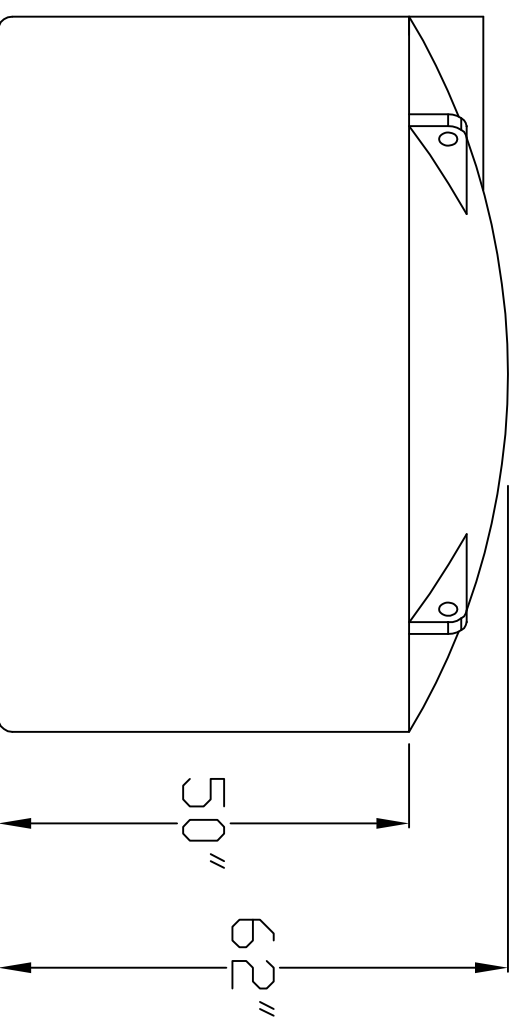
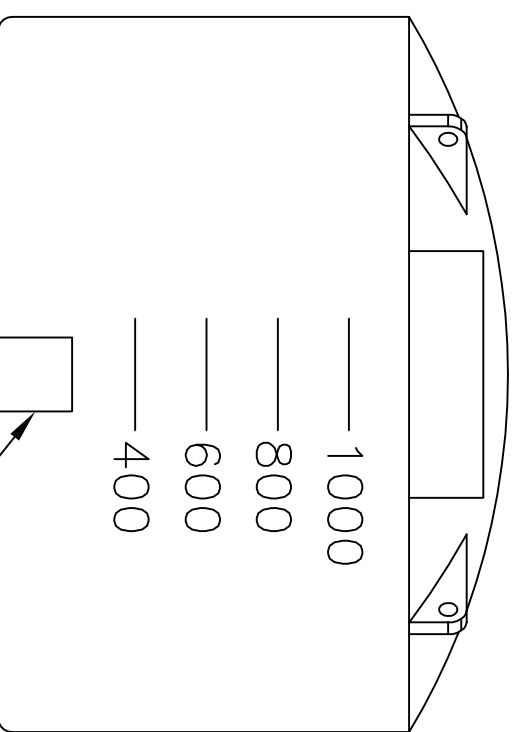
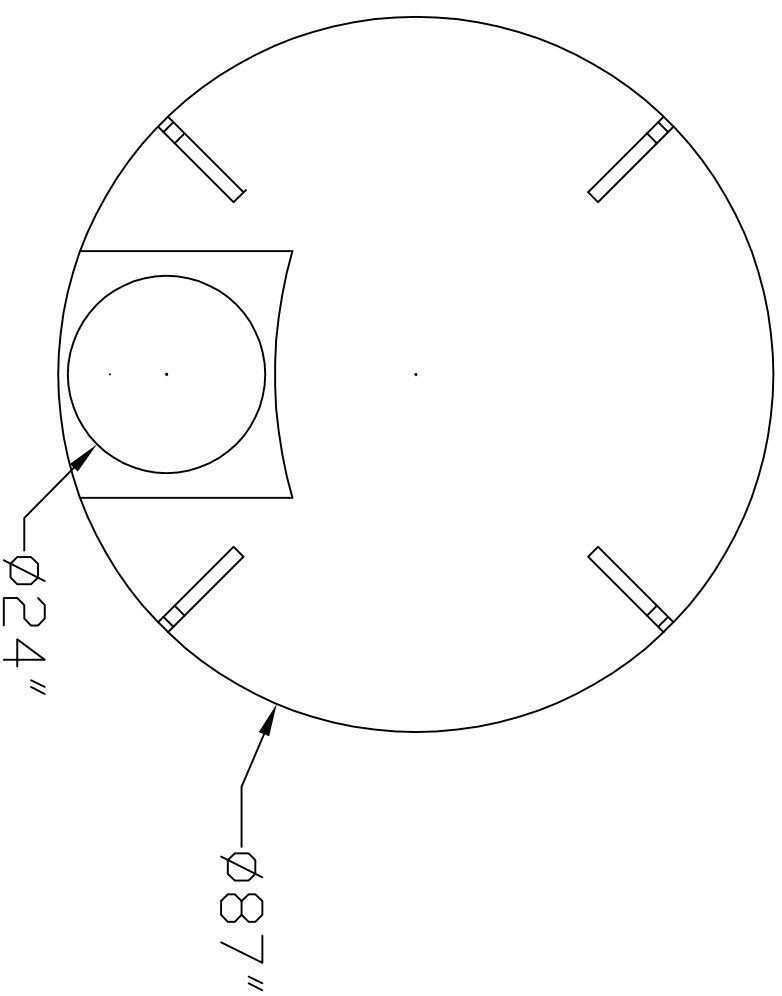
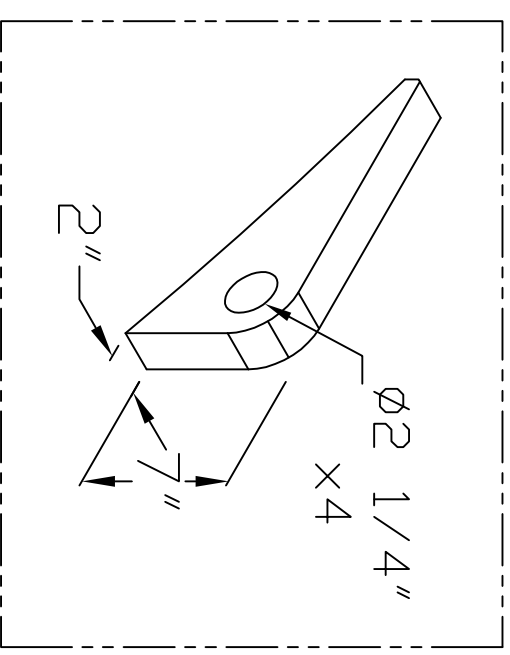
4

3

2

1

LIFTING LUG DETAIL



THIS DRAWING AND ALL INFORMATION THEREON IS THE SOLE PROPERTY R.A.W. TANKS AND IS SUPPLIED CONFIDENTIALLY AND MUST NOT BE USED IN ANY WAY DETRIMENTAL TO OUR INTEREST. FEDERAL LAW PROHIBITS THE REPRODUCTION, DISPLAY, SALE, OR OTHER DISPOSITION OF THIS DOCUMENT WITHOUT THE EXPRESS WRITTEN CONSENT OF WWW.RAWTANKS.COM

DRAWING NAME: DATE: 6/28/12
1450 VERTICAL TANK REVISION: 00

DRAWING NUMBER: 1450

A

B

C

D

E

F

A

B

C

D

E

F

6

5

4

3

2

1