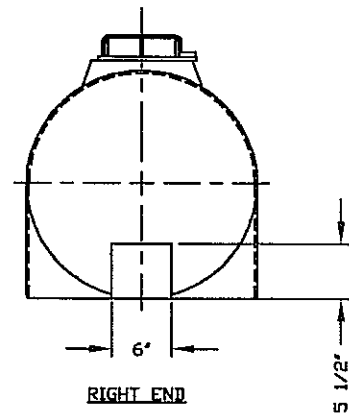
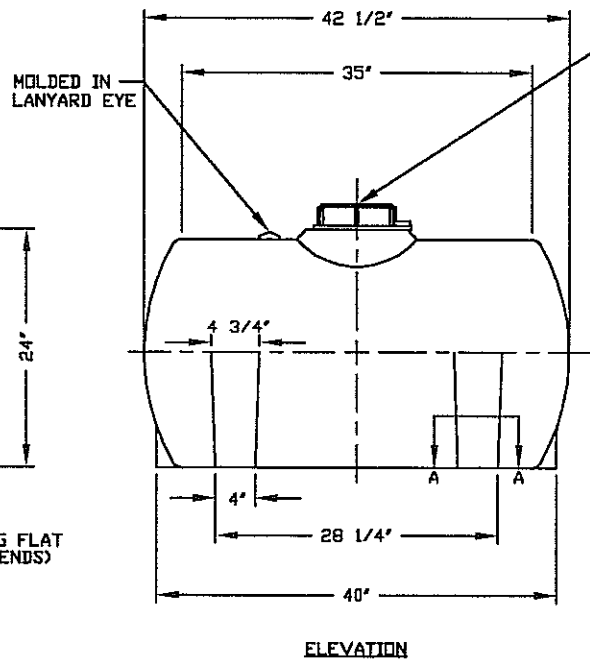
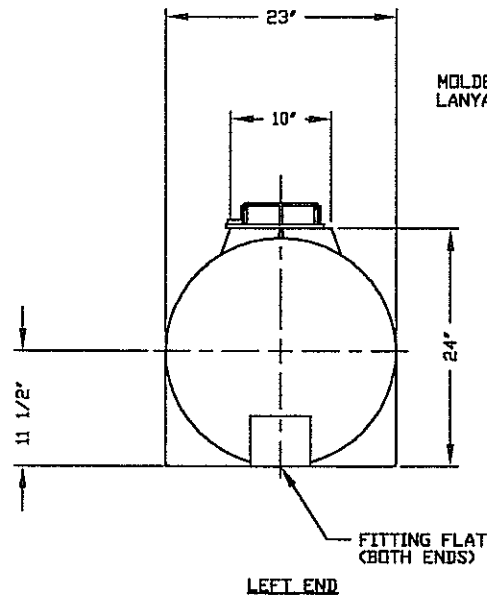
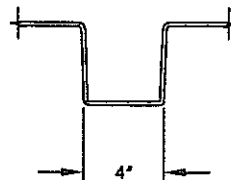


NOZZLE SCHEDULE & ACCESSORIES						
SERVICE	MK	STOCK NO.	SIZE	FITTING	DEG	ELEV



NOTES
 1. MOLDED IN GALLONAGE MARKERS ON LEFT END IN 5 GAL INCREMENTS FROM 5 GAL TO 60 GAL.



CALCULATED CAPACITY	VOLUME IN U.S. GALLONS
DESIGN CAPACITY	65

DWG TITLE			
65 GALLON HORIZONTAL LEG TANK			
SCALE: 1"=1'-0"		P.O. Box 01058 Lafayette, LA 70508 1-800-729-9265 3377 637-8118 3377 637-3023 - Fax	DR:
DATE: 4/25/08		CR:	
SHEET		COMPUTER FILE	REV